



ME – ELECTRONIC SINGLE PHASE

CLASSIC DRIVE

FEATURES

- Infinitely variable fan speed control offers flexibility
- Illuminated on/off switch gives visual status
- Supply: 230 VAC, 50/60 Hz, 1 Phase
- IP44 ingress protection
- Two and Three wire control
- Max ambient temperature: 50°C

DESCRIPTION

Our Classic ME series drive provide speed control for single phase, 230 VAC, 50/60 Hz voltage controllable electric motors.

Available in 1, 3, 6, 10, 12 and 16 Amp units they have an illuminated on/off switch and infinitely variable control between minimum and maximum speeds.

RANGE

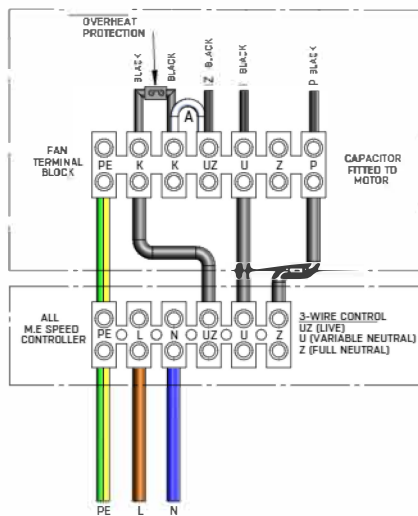
To ensure correct drive selection, please choose a drive that has an amp rating that is equal to or above the fan motor full load current (FLC).

Model	MEL1	MEL3	MEL6	MEL10	MEL12	MEL16
Part	410289	410290	410291	410323	414855	SL400073
Current rating (A)	1	3	6	10	12	16
Ingress Protection	IP44	IP44	IP44	IP44	IP44	IP44



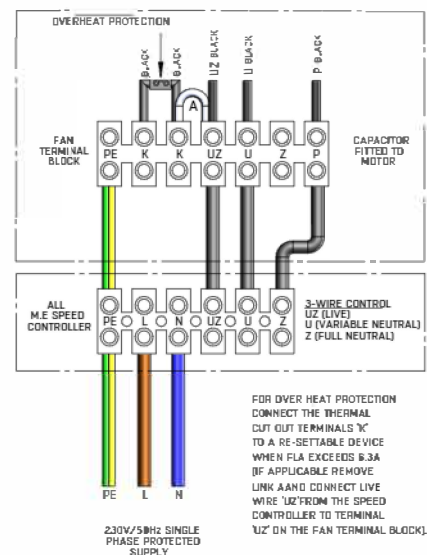
WIRING DIAGRAMS

315-500 JM 1 PHASE (WITH ME SPEED CONTROLLER)



FAN CONNECTED TO SPEED CONTROLLER (VARIABLE SPEED)

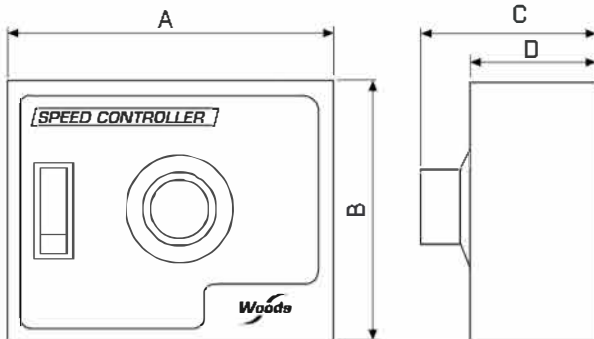
560-630 JM 1 PHASE (WITH ME SPEED CONTROLLER)



FAN CONNECTED TO SPEED CONTROLLER (VARIABLE SPEED)



DIMENSIONS AND WEIGHTS



Model	Product Number	A	B		
ME1.1	410289	104	83	55	40
ME1.3	410290	148	87	62	47
ME1.6	410291	148	87	62	47
ME1.10	410323	170	150	70	55
ME1.12	414855	210	180	81	65
ME1.16	SL400073	210	180	81	65

COMPATIBILITY

Our ME Speed controller is suitable for use with single phase voltage controllable motors.

MOUNTING AND CONNECTION

Our controllers are suitable for mounting onto a smooth surface (wall). Connect voltage supply, motor(s) and earth as shown within the wiring diagram, using cables of the proper diameter.

ISOLATION AND ISOLATION AND WIRING (SEE DIAGRAM ON PREVIOUS PAGE)

A safety isolator/disconnect switch should be installed on the mains electricity side of all motor drives; Please refer to SISO product.

We recommend three wire control for increased speed stability and low speed starting.

MOTOR PROTECTION

If motors are fitted with thermostat (Tk) overheat protection, we recommend the use of our EEDS controller type instead of our ME product.

TRANSPORT AND STOCK KEEPING

Avoid shocks. Stock in original packing. Avoid extreme conditions.

WARRANTY

Any modifications or alterations to the product relieve the manufacturer of all responsibility. The manufacturer bears no responsibility for any misprints or mistakes in this data, and modifications or improvements to the product can be made at any time after date of publication.

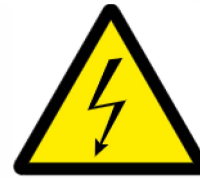
MAINTENANCE

In normal conditions our controllers are maintenance-free. If external surfaces requires light cleaning, please use a dry or slightly damp cloth. If heavy cleaning is needed, then we recommend the use of a non-aggressive cleaning product. Particular attention should be paid to ensure that no fluids

leak to the mains



General danger



Electrical hazard

All works may only be carried out by skilled personnel following the local regulations and AFTER the controller is completely isolated from the mains. Replace fuse only with same type and rating.