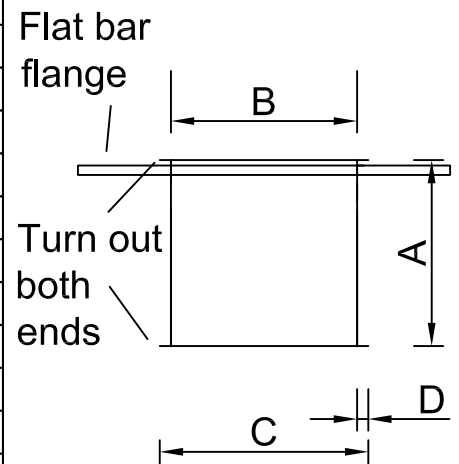


# ducting express ltd

Clipped galvanized steel Flange Adapter					
Express Duct	Duct Work Construction to DW/144				
	Length	Internal $\varnothing$	Over Turnout	Turn out	Galvanised Steel
Straight Duct	A	B	C	D	
80 $\varnothing$	100mm	80mm	92mm	6mm	0.8mm
100 $\varnothing$	100mm	100mm	112mm	6mm	0.8mm
125 $\varnothing$	100mm	125mm	137mm	6mm	0.8mm
150 $\varnothing$	100mm	150mm	162mm	6mm	0.8mm
160 $\varnothing$	100mm	160mm	172mm	6mm	0.8mm
180 $\varnothing$	100mm	180mm	192mm	6mm	0.8mm
200 $\varnothing$	100mm	200mm	212mm	6mm	0.8mm
224 $\varnothing$	100mm	224mm	236mm	6mm	0.8mm
250 $\varnothing$	100mm	250mm	262mm	6mm	0.8mm
280 $\varnothing$	100mm	280mm	292mm	6mm	0.8mm
300 $\varnothing$	100mm	300mm	312mm	6mm	0.8mm
315 $\varnothing$	100mm	315mm	327mm	6mm	0.8mm
350 $\varnothing$	100mm	350mm	362mm	6mm	0.8mm
400 $\varnothing$	100mm	400mm	412mm	6mm	0.8mm
450 $\varnothing$	100mm	450mm	462mm	6mm	0.8mm
500 $\varnothing$	100mm	500mm	512mm	6mm	0.8mm
560 $\varnothing$	100mm	560mm	572mm	6mm	0.8mm
630 $\varnothing$	100mm	630mm	642mm	6mm	0.8mm
710 $\varnothing$	100mm	710mm	722mm	6mm	0.8mm



[www.ducting-express.co.uk](http://www.ducting-express.co.uk)

Designed to provide a smoother internal bore & simply clip the components together, Express Duct will save time on installation & make replacing parts simple. This ducting can be easily dismantled for cleaning purposes & replacing worn parts. The use of the quick clamps reduces leakage, this results in improved airflow.