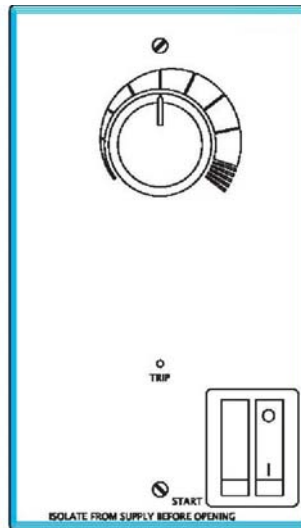
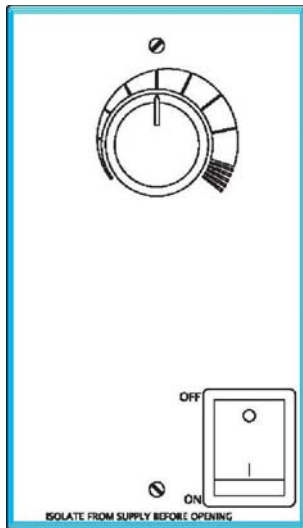


# INSTALLATION AND OPERATING INSTRUCTIONS FOR FAN SPEED CONTROLLERS

**THESE INSTRUCTIONS MUST BE READ FULLY BEFORE COMMENCING INSTALLATION**

TYPE	VOLTAGE	MAX. AMP RATING	TK CONNECTIONS
EFSC3 TK	230/1Ph/50Hz	3.0A	Y
EFSC6 TK	230/1Ph/50Hz	6.0A	Y



Note:  
TRIP LIGHT AND RESET  
BUTTON ONLY APPLICABLE TO  
"T" VERSIONS

In the event of motor  
overheating the motor protection  
will activate indicated by a trip  
light illuminating. This can only  
be reset once the motor has  
cooled down and the adjacent  
reset button has been pressed.

## DESCRIPTION

Electronic variable speed controller suitable for use with single-phase fan units.

## INSTALLATION

All electrical installation must be carried out by suitably qualified and competent personnel in accordance with all current statutory requirements.

Check the details on the motor rating plate to ensure that the correct power supply (voltage, frequency and phase) is available. An incorrect power supply will lead to permanent damage of the unit.

Check that the number, size and speed of the fan(s) can safely be controlled by the controller supplied.

Connections are provided for one (1) fan outlet. If more than one fan is to be controlled then a correctly wired external junction box should be used.

Install in a dry sheltered position. Do not install in close proximity to a heat source or in areas of high humidity. The maximum ambient temperature for the controller must not exceed 40° C (104° F).

## **WARNING! The controller must be isolated from the power supply during installation and maintenance.**

Remove the front cover of the controller by unscrewing the cover fixing screws. This provides access to mounting holes and electrical terminals.

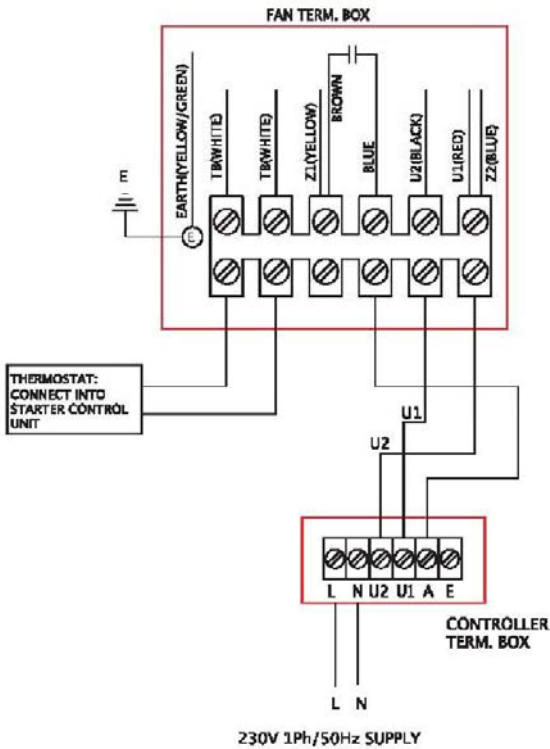
The input fuses, which are ceramic quick acting high blow fuse type, are located adjacent to the terminal strip.

They are, EFSC3 & EFSC3-TK – 6.3 amp rating, EFSC6 & EFSC6-TK – 10 amp rating.

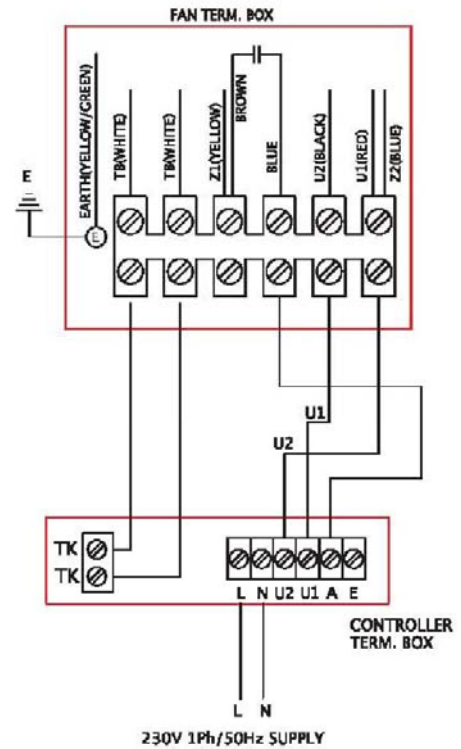
## WIRING

Select correct wiring diagram for the fan and controller supplied. All wiring and control equipment MUST comply with the latest IEE regulations, in particular 552-01-02/03. In the event that the wiring connections for the fan supplied do not correspond to diagrams shown, please refer to the fan instructions.

### EFSC3P/EFSC6P



### EFSC3-TK/EFSC6-TK



## OPERATION

Switch on the controller by operating the ON/OFF rocker switch (plus the Reset button for 'T' Versions). Rotating the Control Knob clockwise will increase the speed of the fan(s) from a pre-set minimum (see below) to full speed (with infinitely variable speeds in between).

**WARNING! Only a suitably qualified and competent person may carry out adjustment of the pre-set min and max speed control settings after the electrical supply has been isolated.**

### MINIMUM SPEED CONTROL SETTING

On certain fan types the factory set minimum speed might require adjustment. To adjust the minimum speed rotate the control knob on the front fully anti-clockwise. This is the current minimum speed position. Turn the minimum speed potentiometer inside the unit clockwise to increase the minimum speed setting and turn anti-clockwise to decrease the minimum speed setting. The fan will not fall below this pre-set speed during operation regardless of the front panel Control Knob setting. The minimum setting should not be less than 100V to ensure that the motor starts.

### MAXIMUM SPEED CONTROL SETTING

To adjust the maximum speed rotate the control knob on the front fully clockwise. This is the current maximum speed position. Turn the maximum speed potentiometer inside the unit anti-clockwise to decrease the maximum speed setting and clockwise to increase the maximum speed setting.