

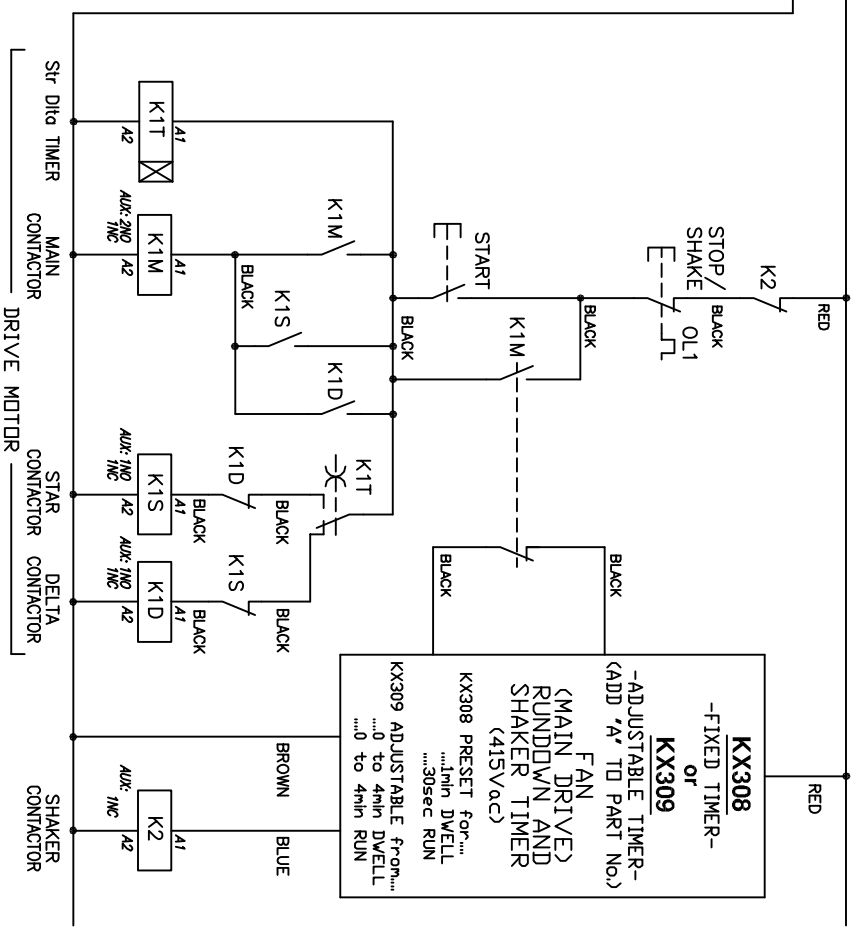
----- INDICATES EARTH CONNECTIONS AND ARE NOT SUPPLIED AS PART OF THIS EQUIPMENT.
 ----- INDICATES EXTERNAL CONNECTIONS AND ARE NOT SUPPLIED AS PART OF THIS EQUIPMENT.

THE CIRCUITS IN THIS ENCLOSURE ARE SUPPLIED WITHOUT ELECTRICAL PROTECTION. IT IS THE RESPONSIBILITY OF THE END USER TO ENSURE THAT THIS EQUIPMENT IS INSTALLED IN ACCORDANCE WITH APPROPRIATE REGULATIONS.

IT IS THE RESPONSIBILITY OF THE END USER TO ENSURE THAT THIS EQUIPMENT IS CONNECTED TO A CE APPROVED EMERGENCY STOP CIRCUIT IF IT IS TO BE USED WITHIN THE EUROPEAN COMMUNITY.

IT IS RECOMMENDED THAT IN THE INTERESTS OF OPERATOR SAFETY REGULAR TESTS OF EARTH CONTINUITY AND INSULATION INTEGRITY ARE CARRIED OUT BY A COMPETENT AUTHORITY.

NOTE: CARE MUST BE TAKEN WHEN CONNECTING TO MOTOR(S) AS SUPPLY PHASES/MOTOR TERMINALS MAY NOT BE IN THE ROTATION/ORIENTATION ILLUSTRATED.



PART No.	MAIN DRIVE kW (F.L.C.)	O/LOAD (OL1) RANGE	OL1 SET AT
SSDAS75D	7.5kW (14.5A)	5.5-8.5A	8A
SSDAS11D	11kW (21A)	12.5-18A	12.5A
SSDAS12D	12kW (23A)	12.5-18A	13.5A
SSDAS15D	15kW (28A)	12.5-18A	16A
SSDAS18D	18.5kW (35A)	17-24A	20.5A
SSDAS22D	22kW (41A)	23-32A	24A
SSDAS30D	30kW (55A)	30-40A	32A

ADD 'A' TO END OF PART NUMBER FOR ADJUSTABLE SHAKER TIMER (KX309).

Title: 30kW MAX. Str Dltg Fan Motor & Shaker AUTOSHAKER CONTROLLER CIRCUIT DIAGRAM		Dwg. No. SSDAS07061		Rev. A	
SSDASD... (REF. TABLE)		CAD/Title: ASHAKER/SSDAS07061A		Plot Date: 30.11.17	
Issue	Description	Date			
Drwn.	LOF 30.10.17				
Chkd.	/ /				
Appd.	/ /				

THIS DRAWING IS THE COPYRIGHT AND NOT BE COPIED, REPRODUCED OR TRANSMITTED IN ANY FORM OR BY ANY MEANS, WITHOUT THEIR WRITTEN PERMISSION.