



## Technical Data - Fan Model SMT125 (High speed)

**Location:**

Verify stock availability for life of quotation.

**Designation:**

**Performance - Required**

Air Flow : 0.00 m<sup>3</sup>/s  
 Static Pressure : 0 Pa  
 Selection Pressure: 0 Pa  
 Installation Type: n/a  
 Air Density: 1.204 kg/m<sup>3</sup>  
 - Atmos. Temp: 20 °C  
 - Altitude: 0 m  
 - Humidity: 0.0 %

**Actual**

Air Flow: 0.00 m<sup>3</sup>/s  
 Static Pressure: 0 Pa  
 Total Pressure: 0 Pa

**Fan Data**

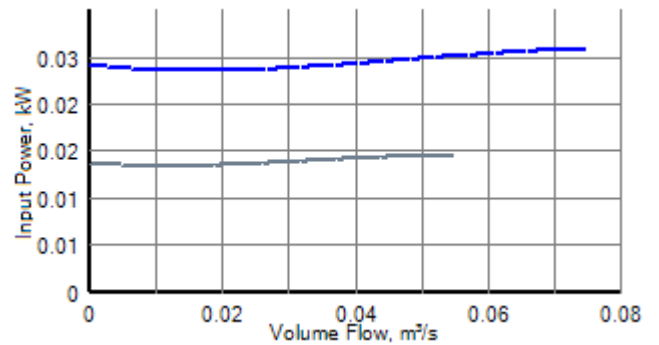
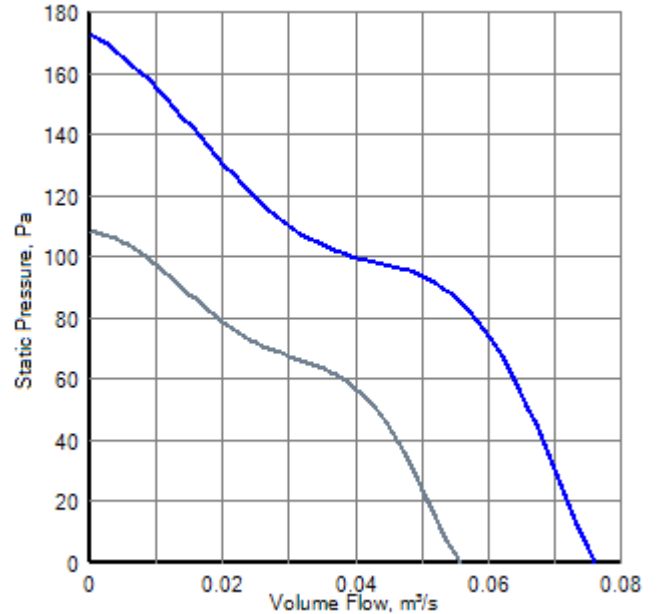
Catalogue Code: SMT125 (High speed)  
 Description: Inline Mixed-Flow

Diameter: 125 mm  
 Impeller Type: Mixed Flow  
 Blade Material: -  
 Speed: 2330 r/min @50 Hz  
 Power, Abs: -  
 Input Power: 0.02 kW  
 Efficiency Total: -  
 SFP: -

Peak: -  
 Static: -

**Motor Data (at STP)**

Motor Type:  
 Electrical Supply: 230V 1ph 50Hz  
 Motor Frame:  
 Motor Power: 0.03kW  
 FLC/Start: 0.18A / -  
 Motor Speed: 2 pole  
 Motor Efficiency: -



**Sound Data**

Spectrum (Hz):	63	125	250	500	1K	2K	4K	8K	dBW	dB(A) @ 3m
Inlet (dB):	57	59	70	69	65	63	57	52	74	50

Sound levels are quoted as in-duct values. dB(A) values are average spherical free-field for comparative use only.

## Technical Data - Fan Model SMT125 (High speed)

**Location:**

**Designation:**

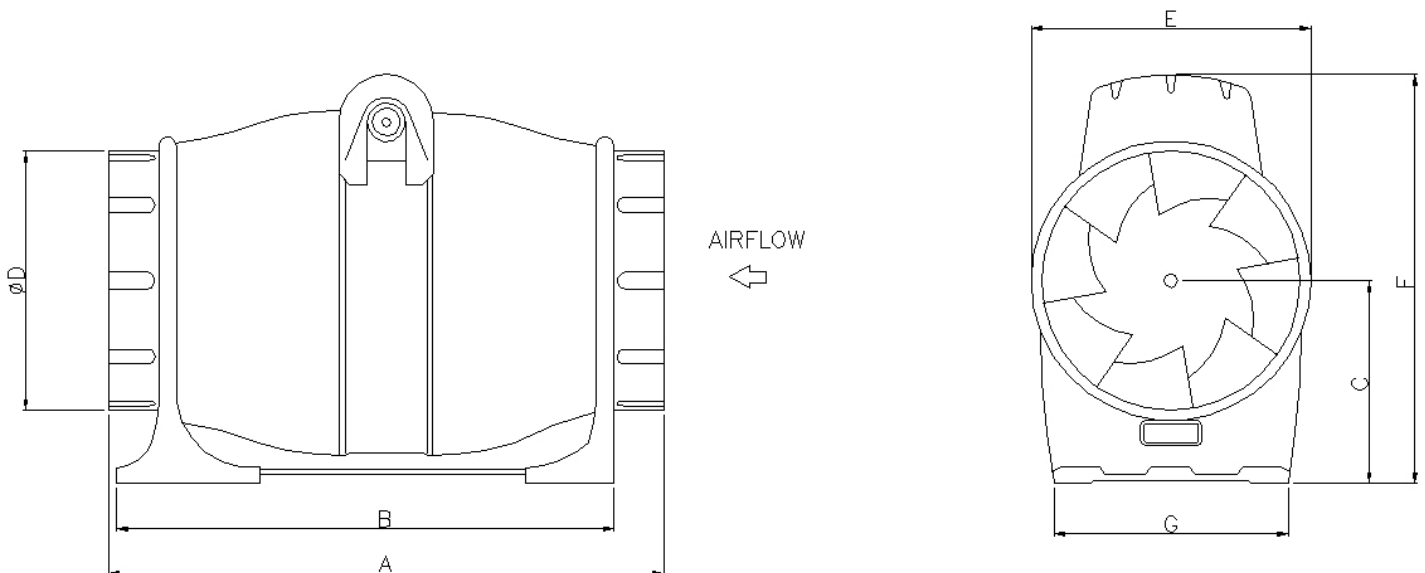
### Energy Related Product Data

Overall Efficiency: 15.8%  
 Measurement Category: C  
 Efficiency Category: Static  
 FMEG: 0  
 Specific Ratio: 1

### At Maximum Efficiency Point

Input Power: 0.02 kW  
 Air Flow: 0.04 m<sup>3</sup>/s  
 Pressure: 102 Pa  
 Speed: 2330 r/min

## Drawing for Fan Model SMT125



PRODUCT DUCT	A	B	C	D	E	F	G	WEIGHT KG.
SMT100	315	235	115	98	180	232	130	3
SMT125	280	235	115	122	180	232	130	3
SMT150	294	270	115	147	192	240	130	3
SMT200	354	265	140	197	230	280	142	4