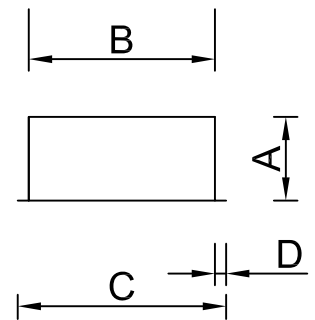


ducting express^{ltd}

Clipped galvanized steel Cap End					
Express Duct	Duct Work Construction to DW/144				
	Length	Internal \emptyset	Over Turnout	Turn out	Galvanised Steel
Straight Duct	A	B	C	D	
80 \emptyset	45mm	80mm	92mm	6mm	0.8mm
100 \emptyset	45mm	100mm	112mm	6mm	0.8mm
125 \emptyset	45mm	125mm	137mm	6mm	0.8mm
150 \emptyset	45mm	150mm	162mm	6mm	0.8mm
160 \emptyset	45mm	160mm	172mm	6mm	0.8mm
180 \emptyset	45mm	180mm	192mm	6mm	0.8mm
200 \emptyset	45mm	200mm	212mm	6mm	0.8mm
224 \emptyset	45mm	224mm	236mm	6mm	0.8mm
250 \emptyset	45mm	250mm	262mm	6mm	0.8mm
280 \emptyset	45mm	280mm	292mm	6mm	0.8mm
300 \emptyset	45mm	300mm	312mm	6mm	0.8mm
315 \emptyset	45mm	315mm	327mm	6mm	0.8mm
350 \emptyset	45mm	350mm	362mm	6mm	0.8mm
400 \emptyset	45mm	400mm	412mm	6mm	0.8mm
450 \emptyset	45mm	450mm	462mm	6mm	0.8mm
500 \emptyset	45mm	500mm	512mm	6mm	0.8mm
560 \emptyset	45mm	560mm	572mm	6mm	0.8mm
630 \emptyset	45mm	630mm	642mm	6mm	0.8mm
710 \emptyset	45mm	710mm	722mm	6mm	0.8mm



www.ducting-express.co.uk

Designed to provide a smoother internal bore & simply clip the components together, Express Duct will save time on installation & make replacing parts simple. This ducting can be easily dismantled for cleaning purposes & replacing worn parts. The use of the quick clamps reduces leakage, this results in improved airflow.