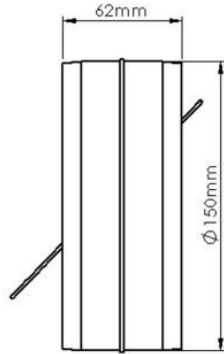
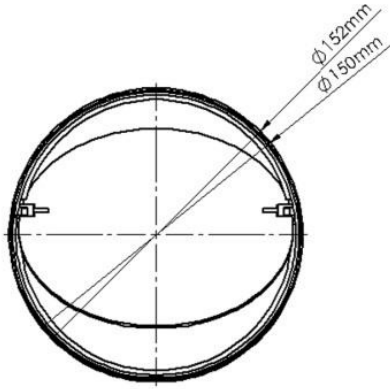


**PRODUCT DATA SHEET**

**VKC363**

**150MM CONNECTOR WITH DAMPER**



**SPECIFICATION DETAILS**

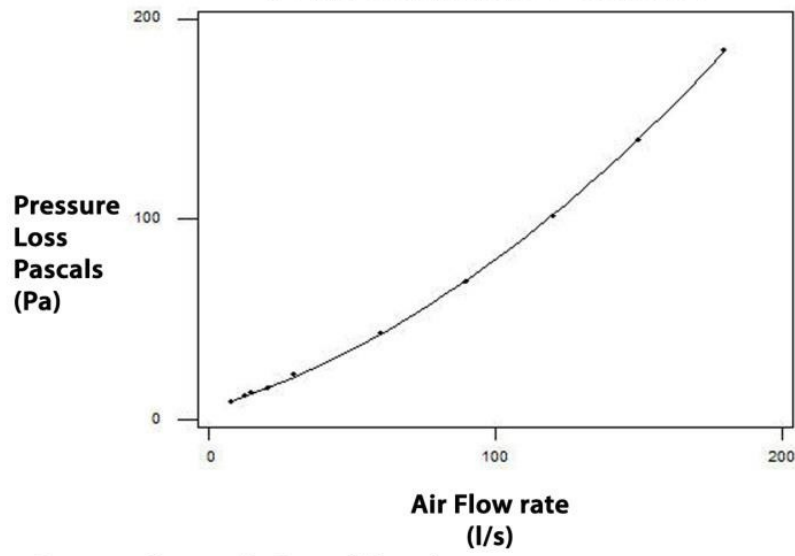
The VKC363 150mm diameter Round Connector With Damper is manufactured from (white) High Impact Polystyrene and has a minimum free area of 16,787mm<sup>2</sup> and has male fittings for connection inside of the duct.

VKC363 is manufactured in compliance with Domestic Plastic Ductwork Specification DW/154 and does meet UL94HB flammability standard.

VKC363 has been designed for use with Verplas System 150mm Round.

<b>Manufacturer:</b>	Verplas Ltd
<b>Part Number:</b>	VKC363
<b>Size:</b>	150mm Diameter
<b>For use with:</b>	Verplas System 150
<b>MAX/MIN OPERATING TEMPERATURES</b>	+ 60°C to - 15°C
<b>Individual Weight:</b>	100g
<b>Colour:</b>	White

**PERFORMANCE CURVE**



AIRFLOW	RESISTANCE
8 l/s	9.00 pa
13 l/s	12.00 pa
21 l/s	16.00 pa
30 l/s	23.00 pa
60 l/s	43.60 pa
120 l/s	102.00 pa

**Associated Ancillaries**

