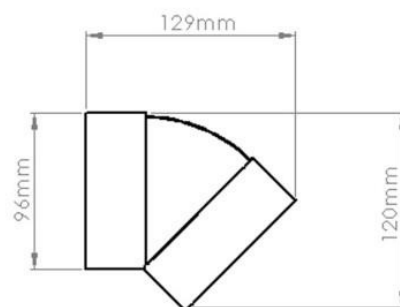
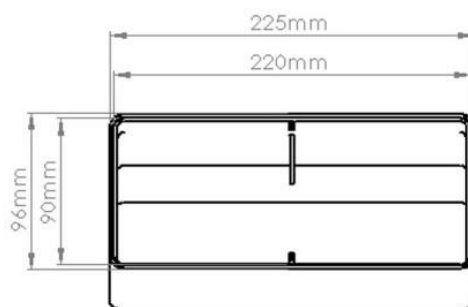


PRODUCT DATA SHEET

VKC5717

VERTICAL 45° BEND

ducting express



SPECIFICATION DETAILS

The VKC5717 220x90mm Rectangular Vertical 45° Bend is manufactured from (white) High Impact Polystyrene and has a minimum free area of 18,545mm². It has a female adaptor for connection outside of the System 220 duct.

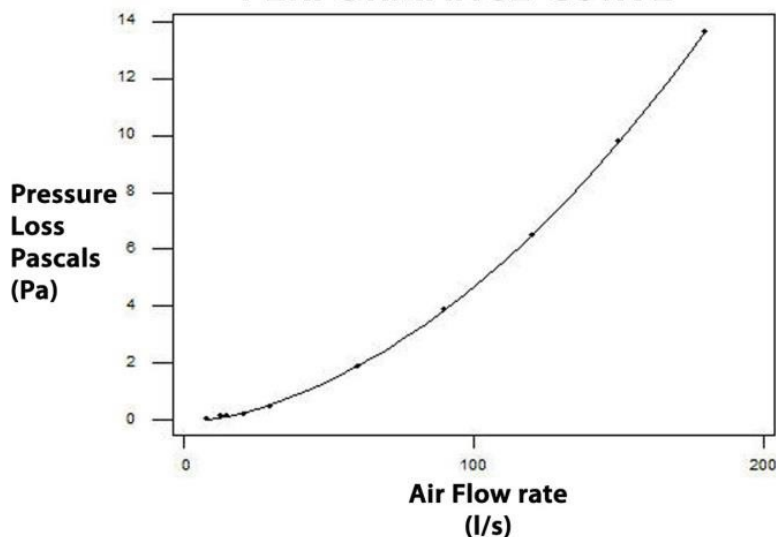
The VKC5717 is fully compliant with SAP Appendix Q Product Characteristics Database recommendations for duct sizes used with both extract and Mechanical Heat Recovery Systems.

VKC5717 is manufactured in compliance with Domestic Plastic Ductwork Specification DW/154 and does meet UL94HB flammability standard.

VKC5717 has been designed for use with Verplas System 220.

Manufacturer:	Verplas Ltd
Part Number:	VKC5717
Size:	220mm x 90mm
For use with:	Verplas System 220
MAX/MIN OPERATING TEMPERATURES	+ 60°C to - 15°C
Individual Weight:	189g
Colour:	White

PERFORMANCE CURVE



AIRFLOW	RESISTANCE
8 l/s	0.07 pa
13 l/s	0.13 pa
21 l/s	0.22 pa
30 l/s	0.50 pa
60 l/s	1.90 pa
120 l/s	6.50 pa

Associated Ancillaries

