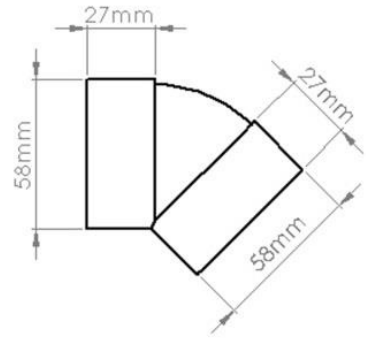
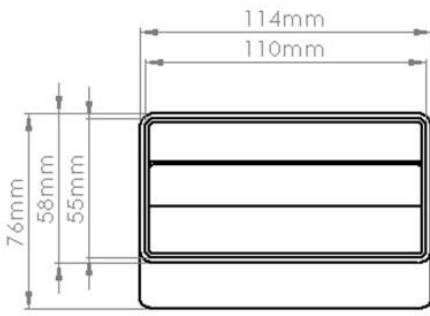


PRODUCT DATA SHEET
VKC226
VERTICAL 45° BEND



SPECIFICATION DETAILS

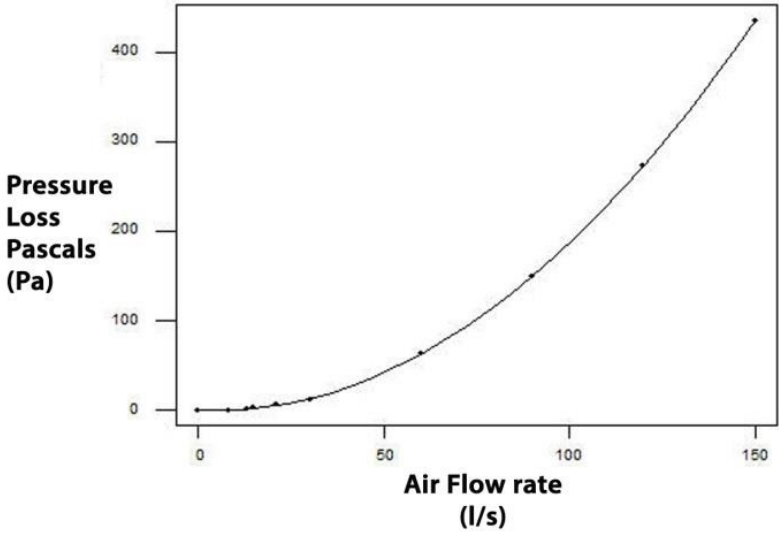
The VKC226 110x54mm Rectangular Vertical 45° Bend is manufactured from (white) High Impact Polystyrene and has a minimum free area of 5,424mm². It has a female adaptor for connection outside of the System 110 duct.

VKC226 is manufactured in compliance with Domestic Plastic Ductwork Specification DW/154 and does meet UL94HB flammability standard.

VKC226 has been designed for use with Verplas System 110.

Manufacturer:	Verplas Ltd
Part Number:	VKC226
Size:	110mm x 54mm
For use with:	Verplas System 110
MAX/MIN OPERATING TEMPERATURES	+ 60°C to - 15°C
Individual Weight:	50g
Colour:	White

PERFORMANCE CURVE



AIRFLOW	RESISTANCE
8 l/s	0.60 pa
13 l/s	2.00 pa
21 l/s	7.00 pa
30 l/s	12.00 pa
60 l/s	63.00 pa
120 l/s	274.00 pa

