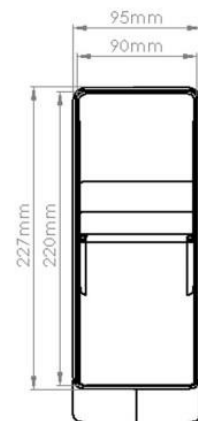
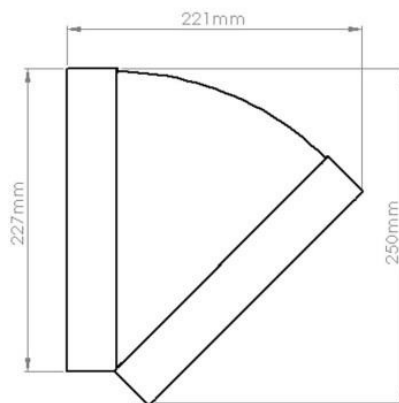


# PRODUCT DATA SHEET

## VKC5716

### RECTANGULAR HORIZONTAL 45° BEND

# ducting express



## SPECIFICATION DETAILS

The VKC5716 220x90mm Rectangular Horizontal 45° Bend is manufactured from (white) High Impact Polystyrene and has a minimum free area of 18,545mm<sup>2</sup>. It has a female adaptor for connection out side of the System 220 duct.

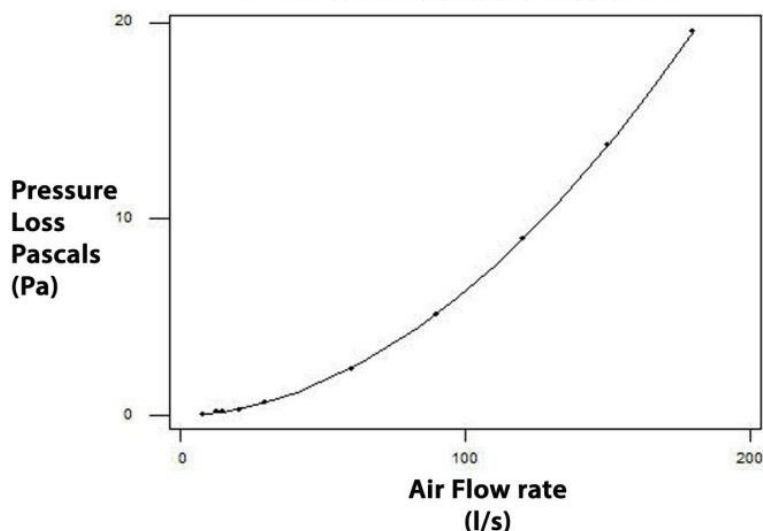
The VKC5716 is fully compliant with SAP Appendix Q Product Characteristics Database recommendations for duct sizes used with both extract and Mechanical Heat Recovery Systems.

VKC5716 is manufactured in compliance with Domestic Plastic Ductwork Specification DW/154 and does meet UL94HB flammability standard.

VKC5716 has been designed for use with Verplas System 220.

<b>Manufacturer:</b>	Verplas Ltd
<b>Part Number:</b>	VKC5716
<b>Size:</b>	220mm x 90mm
<b>For use with:</b>	Verplas System 220
<b>MAX/MIN OPERATING TEMPERATURES</b>	+ 60°C to - 15°C
<b>Individual Weight:</b>	283g
<b>Colour:</b>	White

## PERFORMANCE CURVE



AIRFLOW	RESISTANCE
8 l/s	0.10 pa
13 l/s	0.19 pa
21 l/s	0.33 pa
30 l/s	0.70 pa
60 l/s	2.40 pa
120 l/s	9.00 pa

## Associated Ancillaries

