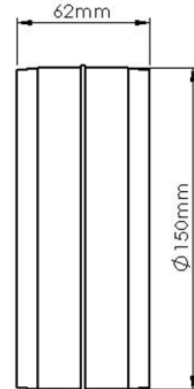
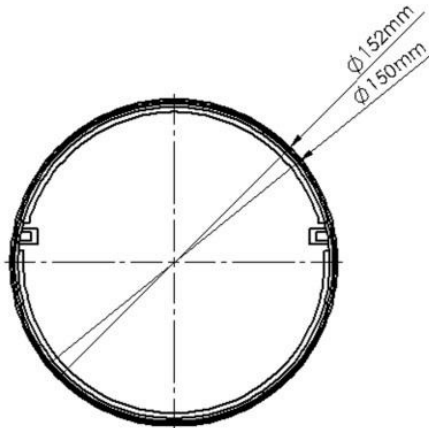


PRODUCT DATA SHEET

VKC365

150MM PIPE STRAIGHT CONNECTOR



SPECIFICATION DETAILS

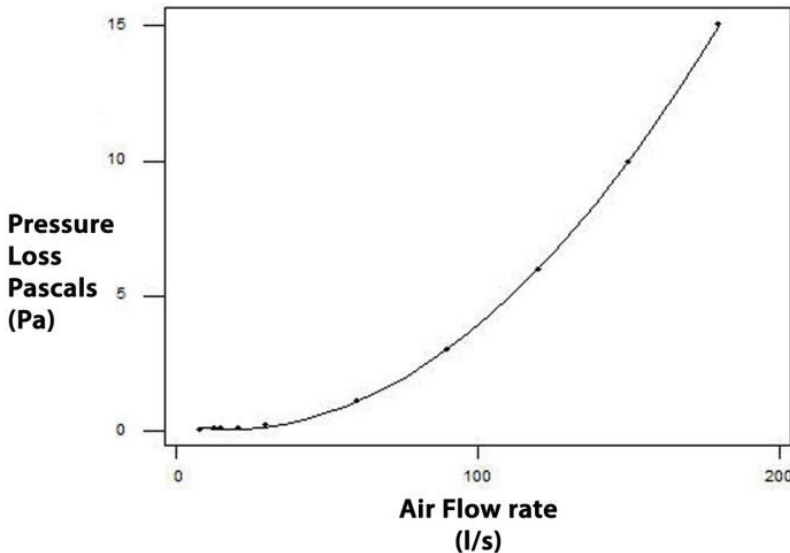
The VKC365 150mm diameter Round Pipe Straight Connector is manufactured from (white) High Impact Polystyrene and has a minimum free area of 16,787mm². It has a male spigot for connection inside of the System 150 duct.

VKC365 is manufactured in compliance with Domestic Plastic Ductwork Specification DW/154 and does meet UL94HB flammability standard.

VKC365 has been designed for use with Verplas System 150 Round.

Manufacturer:	Verplas Ltd
Part Number:	VKC365
Size:	150mm Diameter
For use with:	Verplas System 150
MAX/MIN OPERATING TEMPERATURES	+ 60°C to - 15°C
Individual Weight:	70g
Colour:	White

PERFORMANCE CURVE



AIRFLOW	RESISTANCE
8 l/s	0.04 pa
13 l/s	0.08 pa
21 l/s	0.12 pa
30 l/s	0.20 pa
60 l/s	1.10 pa
120 l/s	6.00 pa

Associated Ancillaries

