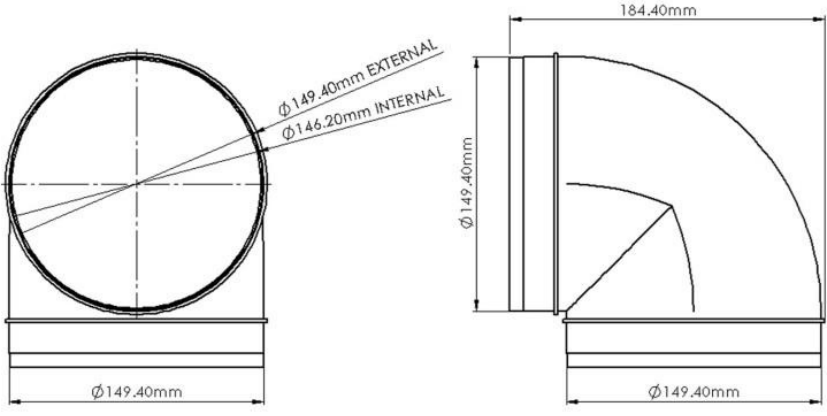


PRODUCT DATA SHEET

VKC360

ROUND ELBOW 90° BEND



SPECIFICATION DETAILS

The VKC360 150mm diameter 90° bend is manufactured from (white) High Impact Polystyrene and has a minimum free area of 16,787mm². It has a male spigot for connection inside of the System 150 duct.

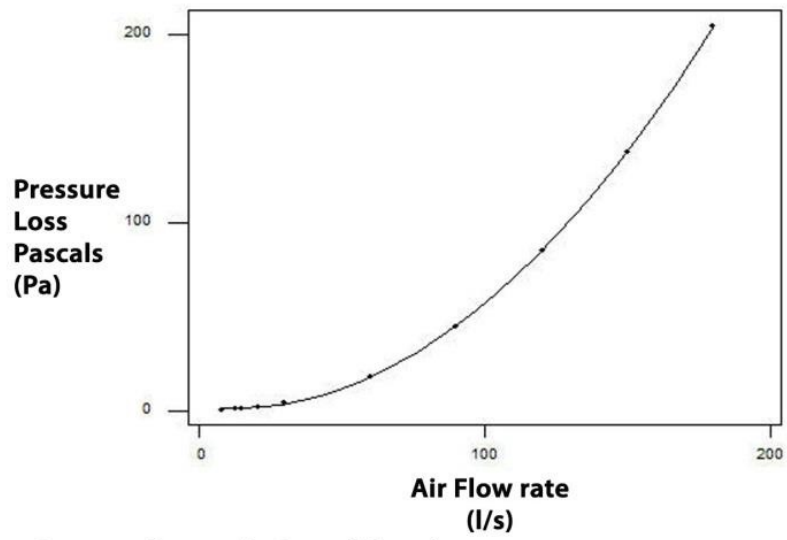
The VKC360 is fully compliant with SAP Appendix Q Product Characteristics Database recommendations for duct sizes used with both extract and Mechanical Heat Recovery Systems.

VKC360 is manufactured in compliance with Domestic Plastic Ductwork specification DW/154 and does meet UL94HB flammability standard.

VKC360 has been designed for use with Verplas System 150 Round.

Manufacturer:	Verplas Ltd
Part Number:	VKC360
Size:	150mm Diameter
For use with:	Verplas System 150
MAX/MIN OPERATING TEMPERATURES	+ 60°C to - 15°C
Individual Weight:	190g
Colour:	White

PERFORMANCE CURVE



AIRFLOW	RESISTANCE
8 l/s	0.20 pa
13 l/s	0.80 pa
21 l/s	2.10 pa
30 l/s	4.20 pa
60 l/s	18.20 pa
120 l/s	85.00 pa

Associated Ancillaries

