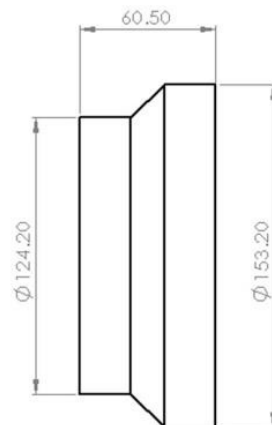
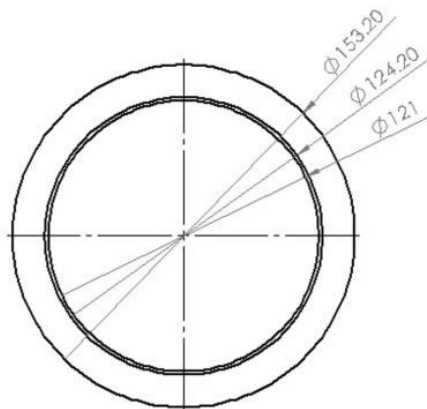


PRODUCT DATA SHEET

VKC619

REDUCER 150MM TO 125MM

ducting express



SPECIFICATION DETAILS

The VKC619 150mm -125mm diameter Reducer is manufactured from (white) High Impact Polystyrene, which has a minimum free area of 17,670mm² on the 150m diameter side reducing to a free area of 11,500mm² on the 125m side. The 125mm spigot fits inside the System 125 duct and the 150mm female fits onto a System 150 round spigot connector.

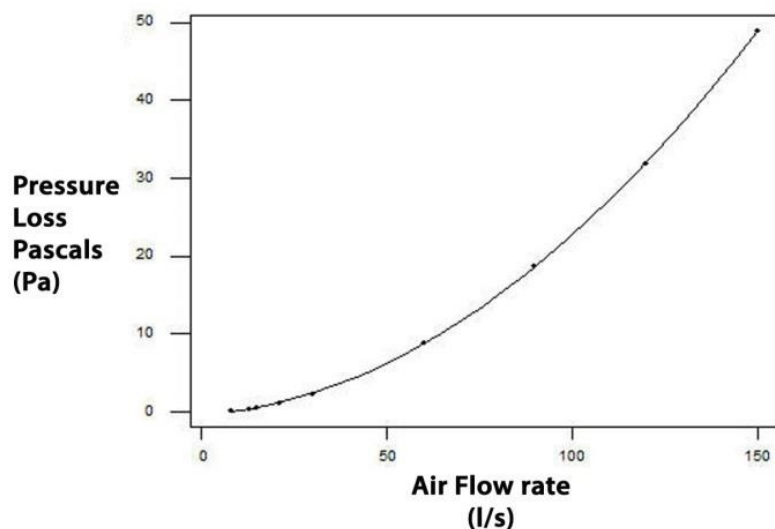
The VKC619 is fully compliant with SAP Appendix Q Product Characteristics Database recommendations for duct sizes used with both extract and Mechanical Heat Recovery Systems.

VKC619 is manufactured in compliance with Domestic Plastic Ductwork Specification DW/154 and does meet UL94HB flammability standard.

VKC619 has been designed for use with Verplas System 150 & 125 Round.

Manufacturer:	Verplas Ltd
Part Number:	VKC619
Size:	150 -125mm Diameter
For use with:	Verplas System 125 & Verplas System 150
MAX/MIN OPERATING TEMPERATURES	+ 60°C to - 15°C
Individual Weight:	42g
Colour:	White

PERFORMANCE CURVE



AIRFLOW	RESISTANCE
8 l/s	0.14 pa
13 l/s	0.30 pa
21 l/s	1.10 pa
30 l/s	2.20 pa
60 l/s	8.80 pa
120 l/s	32.00 pa

Associated Ancillaries

