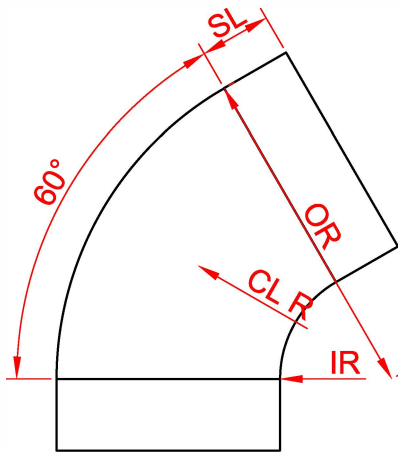


ducting express

www.ducting-express.co.uk
Tel: 01455616444



B60 Bend Specifications

<u>DIAMETER</u>	<u>INNER RADIUS</u>	<u>CL RADIUS</u>	<u>OUTER RADIUS</u>	<u>SLIP LENGTH</u>	<u>MANUFACTURE</u>
80	40	80	120	40	PRESSED
100	50	100	150	40	PRESSED
125	62.50	125	187.50	40	PRESSED
150	75	150	225	40	PRESSED
160	80	160	240	40	PRESSED
180	90	180	270	40	PRESSED
200	100	200	300	40	PRESSED
224	112	224	336	40	SEGMENTED
250	125	250	375	60	SEGMENTED
280	140	280	420	60	SEGMENTED
300	150	300	450	60	SEGMENTED
330	165	330	495	60	SEGMENTED
350	175	350	525	60	SEGMENTED
355	177.50	355	532.50	60	SEGMENTED
381	190.50	381	571.50	60	SEGMENTED
400	200	400	600	60	SEGMENTED
450	225	450	675	60	SEGMENTED
500	250	500	750	80	SEGMENTED
560	280	560	840	80	SEGMENTED
600	300	600	900	80	SEGMENTED
630	315	630	945	80	SEGMENTED
710	355	710	1065	100	SEGMENTED
800	400	800	1200	100	SEGMENTED
900	450	900	1350	100	SEGMENTED
1000	500	1000	1500	100	SEGMENTED

ALL BENDS ARE **MALE FIT** WITH SLIP EXTENSIONS AS STANDARD.
ALL DIMENSIONS ARE APPROXIMATE AND COULD VARY.