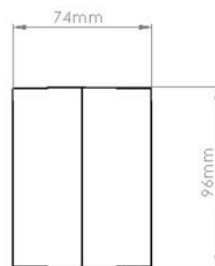
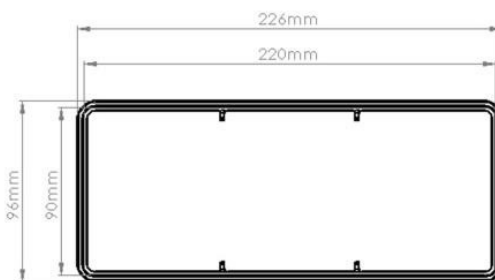
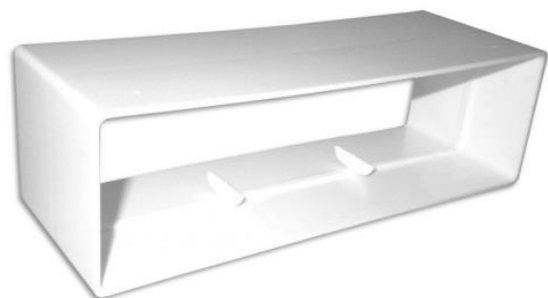


PRODUCT DATA SHEET

VKC5708

FLAT CHANNEL CONNECTOR



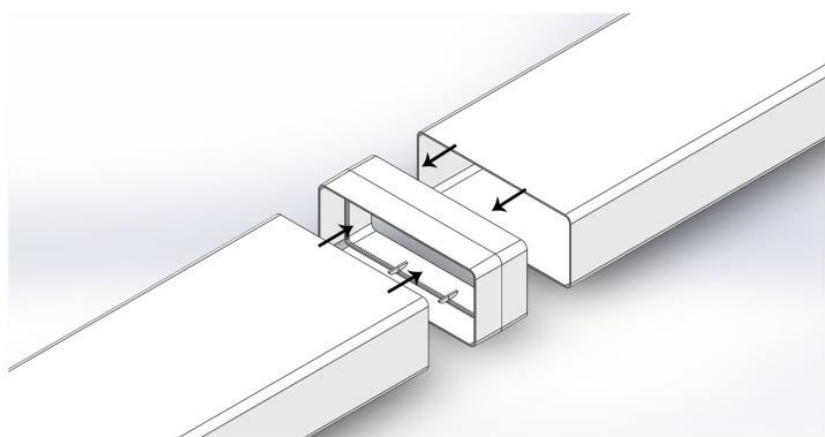
SPECIFICATION DETAILS

The VKC5708 220x90mm Rectangular Flat Channel Connector is manufactured from (white) High Impact Polystyrene and has a minimum free area of 18,545mm². It has a female adaptor for connection outside of the System 220 duct.

The VKC5708 is fully compliant with SAP Appendix Q Product Characteristics Database recommendations for duct sizes used with both extract and Mechanical Heat Recovery Systems.

VKC5708 is manufactured in compliance with Domestic Plastic Ductwork Specification DW/154 and does meet UL94HB flammability standard. VKC5708 has been designed for use with Verplas System 220.

Manufacturer:	Verplas Ltd
Part Number:	VKC5708
Size:	220mm x 90mm
For use with:	Verplas System 220
MAX/MIN OPERATING TEMPERATURES	+ 60°C to - 15°C
Individual Weight:	132g
Colour:	White



AIRFLOW	RESISTANCE
8 l/s	N/A
13 l/s	N/A
21 l/s	N/A
30 l/s	N/A
60 l/s	N/A
120 l/s	N/A

Associated Ancillaries

