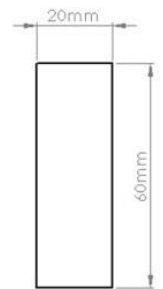
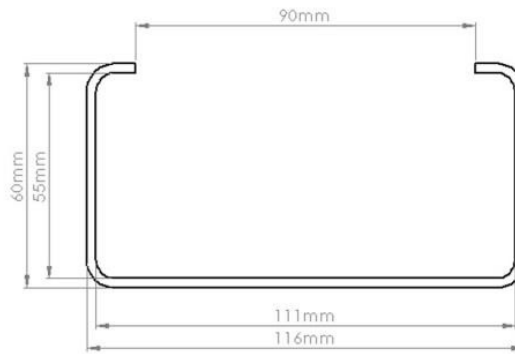


# PRODUCT DATA SHEET

## VKC230

### FLAT CHANNEL CLIP

# ducting express



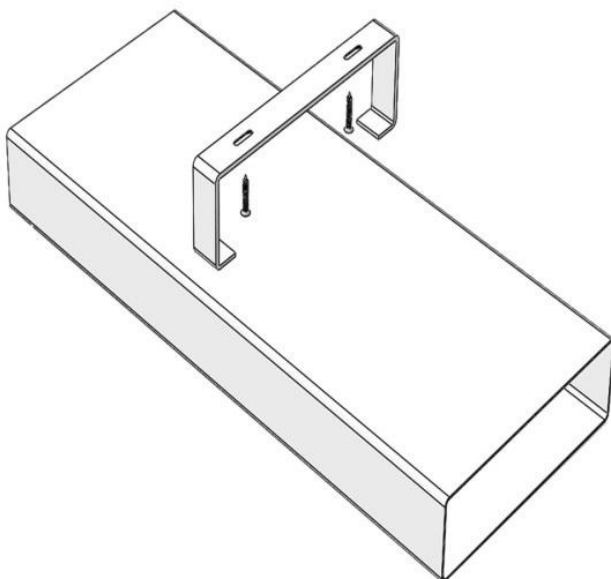
## SPECIFICATION DETAILS

The VKC230 110x54mm Rectangular Flat Channel Clip is manufactured from (white) Polystyrene. It is secured to the floor slab/joist using the pre-determined screw fixing positions. The duct is then clipped into the VKC230. Rigid Duct must be adequately supported and it is recommended at least every metre or either side of a connector.

VKC230 is manufactured in compliance with Domestic Plastic Ductwork Specification DW/154 and does meet UL94HB flammability standard.

VKC230 has been designed for use with Verplas System 110 Rectangular.

<b>Manufacturer:</b>	Verplas Ltd
<b>Part Number:</b>	VKC230
<b>Size:</b>	110mm x 54mm
<b>For use with:</b>	Verplas System 110
<b>MAX/MIN OPERATING TEMPERATURES</b>	+ 60°C to - 15°C
<b>Individual Weight:</b>	10g
<b>Colour:</b>	White



AIRFLOW	RESISTANCE
8 l/s	N/A
13 l/s	N/A
21 l/s	N/A
30 l/s	N/A
60 l/s	N/A
120 l/s	N/A

