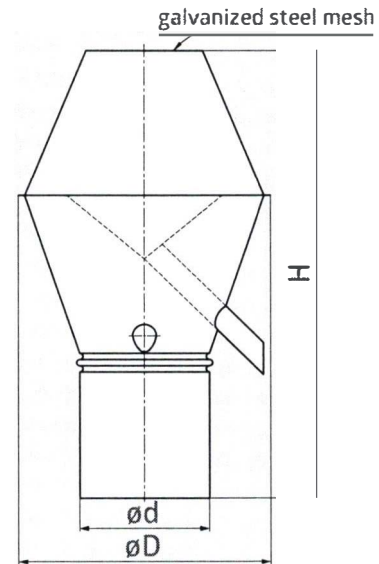


ducting express

Round air intake/ exhauster



PRODUCT CHARACTERISTICS:

- outlet is protected with galvanized steel mesh
- produced to fit outside the duct (standard)
- equipped with water drip pipe
- as an option - male or female coupling version

MATERIAL:

- galvanized steel
- 12x12 mm galvanized steel mesh

ϕd [mm]	ϕD [mm]	H [mm]
100	195	355
125	240	365
140	240	400
150	295	475
160	295	475
180	310	495
200	365	530
224	365	545
250	435	620
280	470	660
300	550	755

ϕd [mm]	ϕD [mm]	H [mm]
315	560	755
355	615	800
400	695	990
450	785	1085
500	870	1130
560	965	1240
600	1070	1230
630	1175	1360
710	1255	1440
800	1340	1540